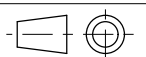


GESSI

INVERSO 73604

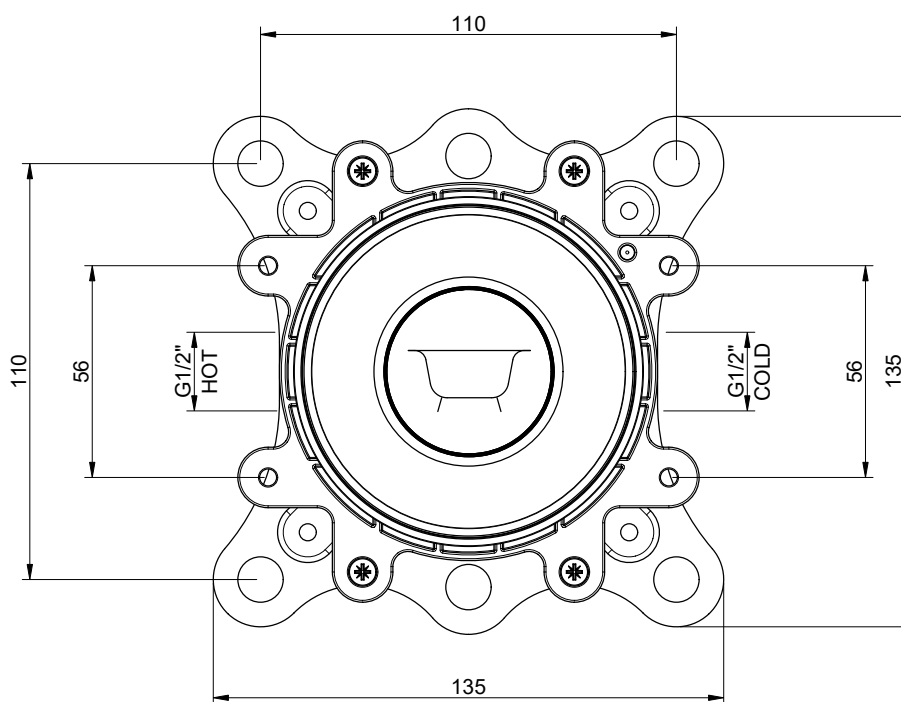
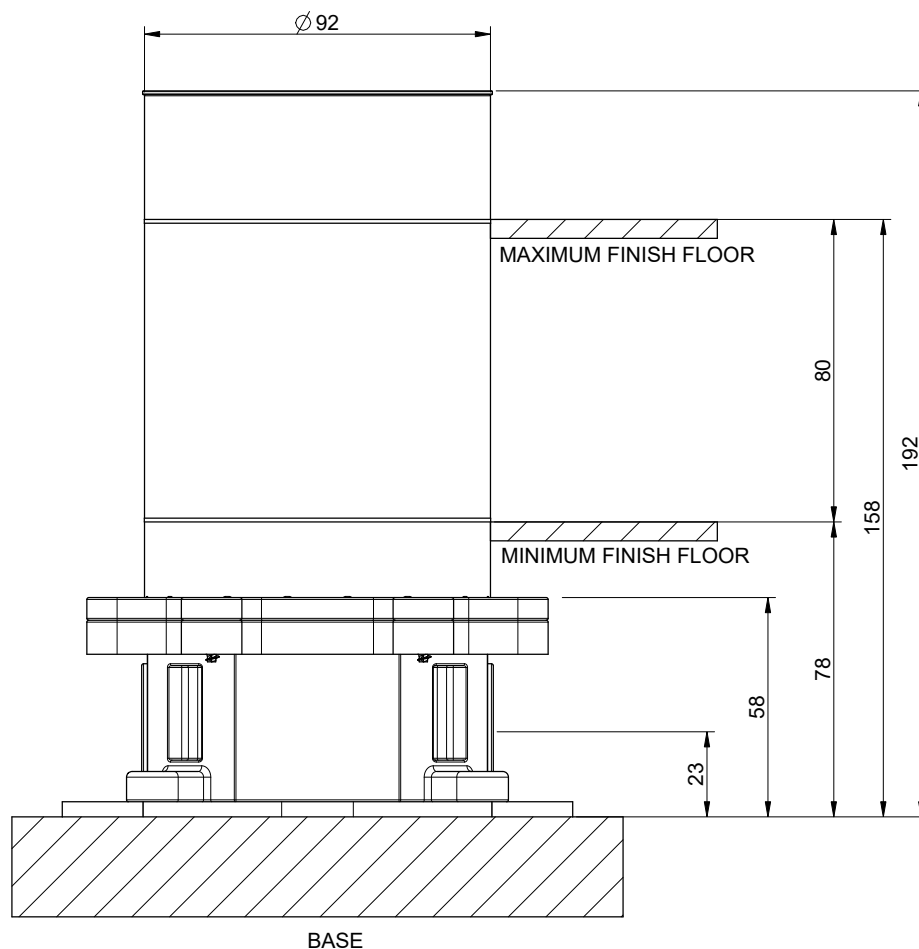
GRUPPO RUBINETTERIA PER VASCA/LAVABO

Formato **A4**



Gessi S.p.A. Parco Gessi, 13037 Serravalle Sesia (Vercelli) Italy Tel. 0039 0163 454111 Fax. 0039 0163 453150 www.gessi.com e-mail: gessi@gessi.it

This drawing by its legislation cannot be disclosed or reproduced without a written authorization released by GESSI S.p.A. - 2024 Copyright® GESSI S.p.A.

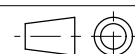


GESSI

PARTI INCASSO 46189

PARTI INCASSO PER VASCA/LAVABO A TERRA

Formato **A4**



Dis.: GPF4618920000G000

Gessi S.p.A. Parco Gessi, 13037 Serravalle Sesia (Vercelli) Italy Tel. 0039 0163 454111 Fax. 0039 0163 453150 www.gessi.com e-mail: gessi@gessi.it

This drawing by its legislation cannot be disclosed or reproduced without a written authorization released by GESSI S.p.A. - 2024 Copyright® GESSI S.p.A.